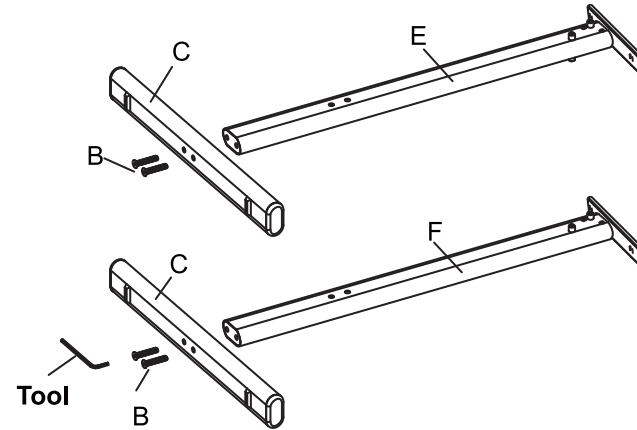
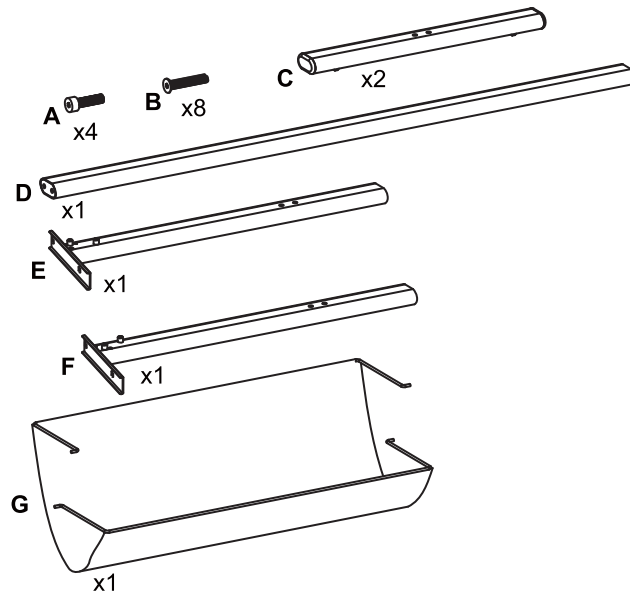
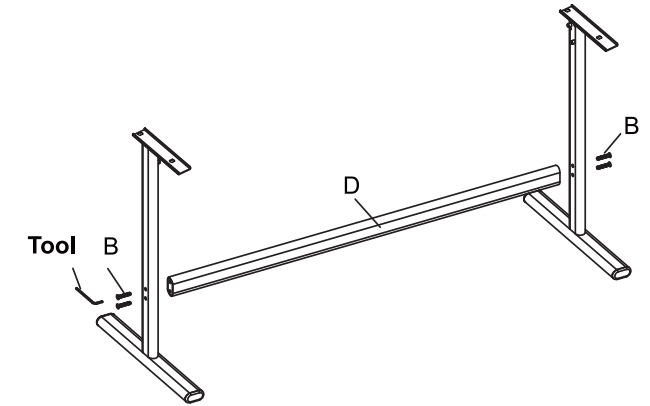


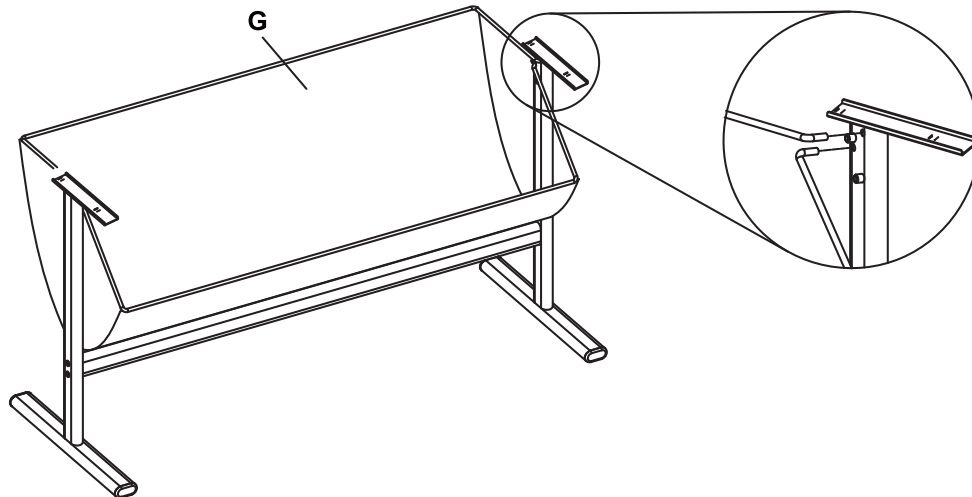
Step 1



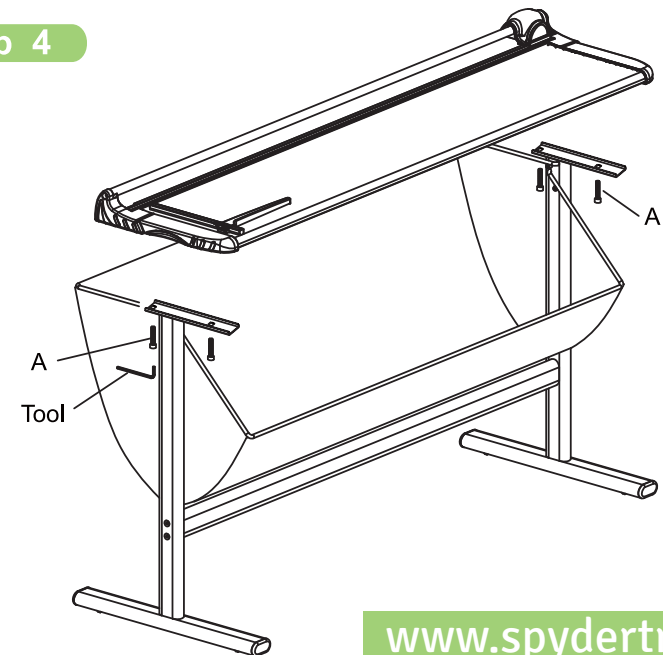
Step 2



Step 3



Step 4



※ Note: Not to fully tighten the screws before well assembling the trimmer onto the stand.