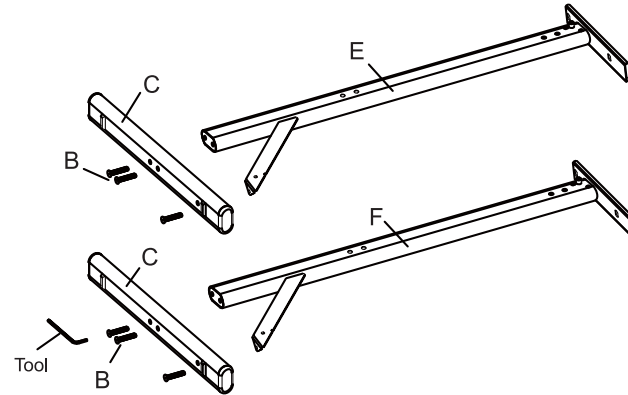
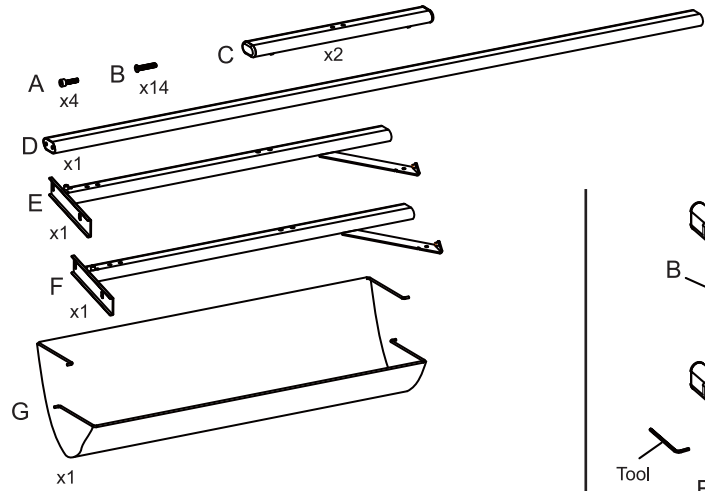
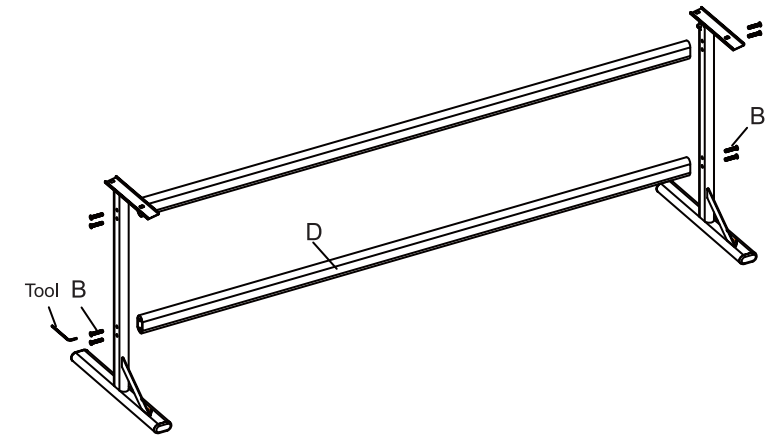


### Step 1

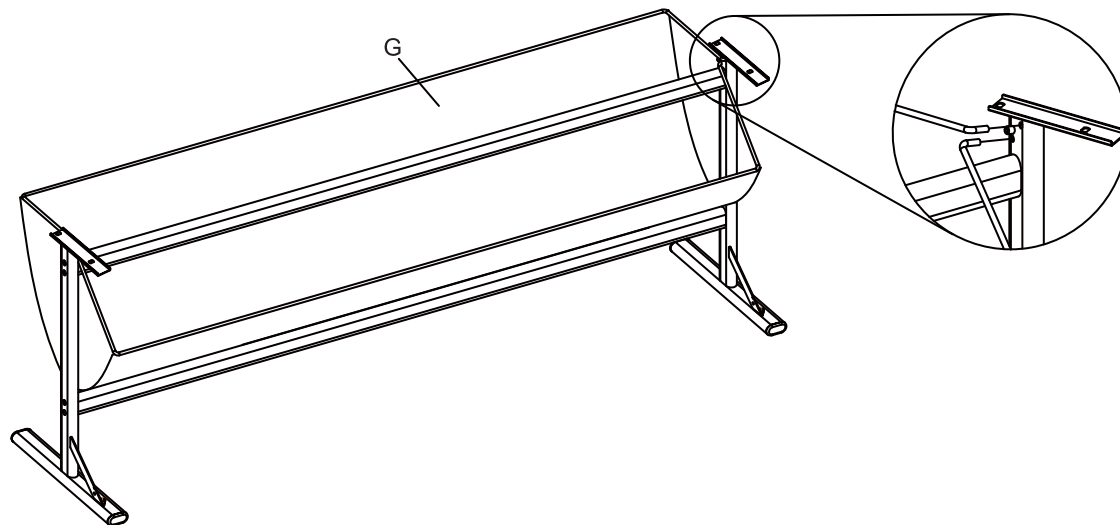


### Step 2

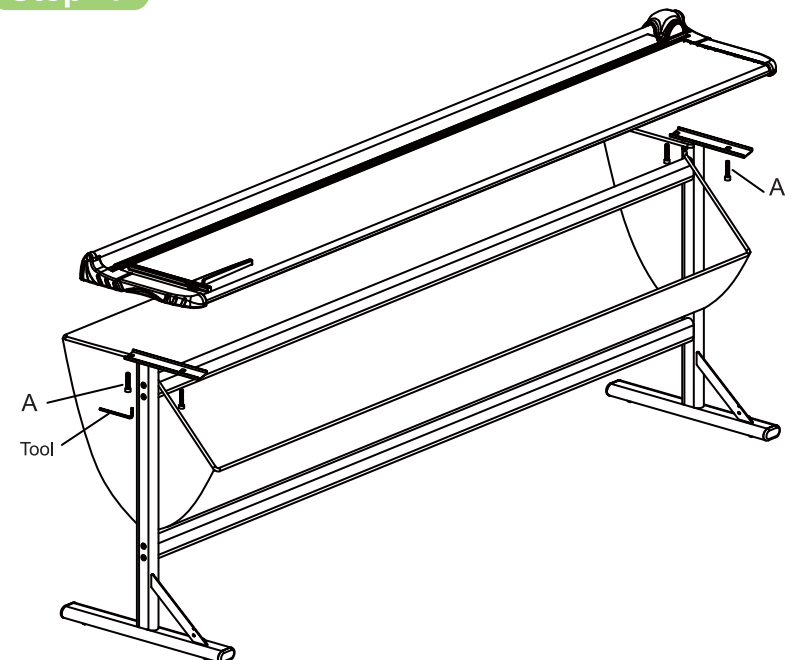
SPYDER TRADE



### Step 3



### Step 4



※ Note: Not to fully tighten the screws before well assembling the trimmer onto the stand.